

<h1>汽车继电器</h1>	<h1>TRF</h1>
----------------	--------------

- Max. switching current 25A.
- Different terminals available.
- Suitable for automation system and automobile auxiliary etc.
- Conform to RoHS,ELV directive

### ■ ORDERING CODE 订购代码

<u>TRF</u>	<u>L</u>	<u>—</u>	<u>F</u>	<u>—</u>	<u>H</u>	<u>P</u>	<u>R</u>	<u>/</u>	<u>12VDC</u>
1	2	3	4	5	6	7			

<p>1. Relay Model 继电器型号</p> <p>2. Coil Power 线圈功率 L=1.16W</p> <p>3. Encapsulation mode 封装方式 F: Flux tight 防尘型 S: Sealed type 密封型</p> <p>4. Contact arrangement 触点形式 H: Form 1A</p> <p>5. Terminals type 端子类型 Nil: plug in type P: PCB type</p>	<p>6. Nil: Standard (标准) R: Coil parallel with 1/2W resistor 680 Ω for Coil voltage 12VDC Coil parallel with 1/2W resistor 2700 Ω for Coil voltage 24VDC D1: Coil parallel with diode IN4007 the positive pole “+”on #85 terminal D2: Coil parallel with diode IN4007 the positive pole “+”on #86 terminal</p> <p>7. Coil Nominal Voltage 线圈额定电压 12,24VDC</p>
--	---

### ■ COIL DATA 线圈参数 (at 20°C)

Nominal Voltage 额定电压(VDC)	12	24	1.16W
Coil Resistance 线圈阻值(Ω ± 10%)	124	489	
Rated Current 额定电流(mA)	96.7	49	
Max Operate Voltage 最大吸合电压(VDC)	8.5	17	
Min Release Voltage 最小释放电压(VDC)	1.5	3.0	
Max Applicable Voltage 最大过载电压	70°C时额定电压的130%， 23°C时额定电压的170%		

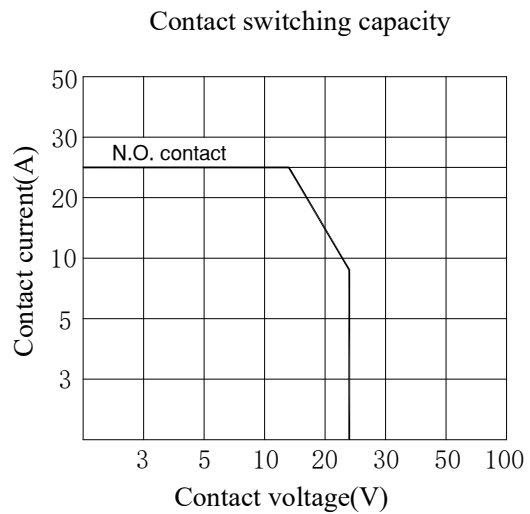
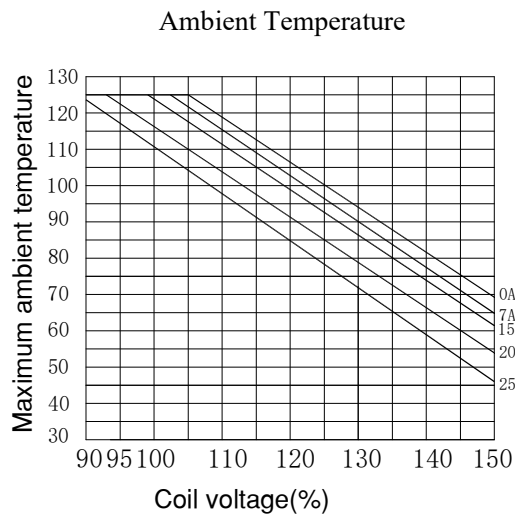
### ■ CONTACT DATA 触点参数

Contact Form 触点形式	1H
Contact Material 触点材料	Silver Alloy
Load 负载	Resistive load (COS Φ=1)
Contact Ratings 触点负载	1H: 25A 14VDC
Max Switching Voltage 最大转换电压	24VDC
Max Switching Current 最大转换电流	25A
Max Switching Power 最大转换功率	350W
Contact Resistance 接触电阻	50mΩ Max at 24VDC 1A
Life Expectancy 寿命	Electrical 电气寿命: 100,000 Operations (at 30 Operations/minute)
	Mechanical 机械寿命: 10,000,000 Operations (at 300 Operations/minute)

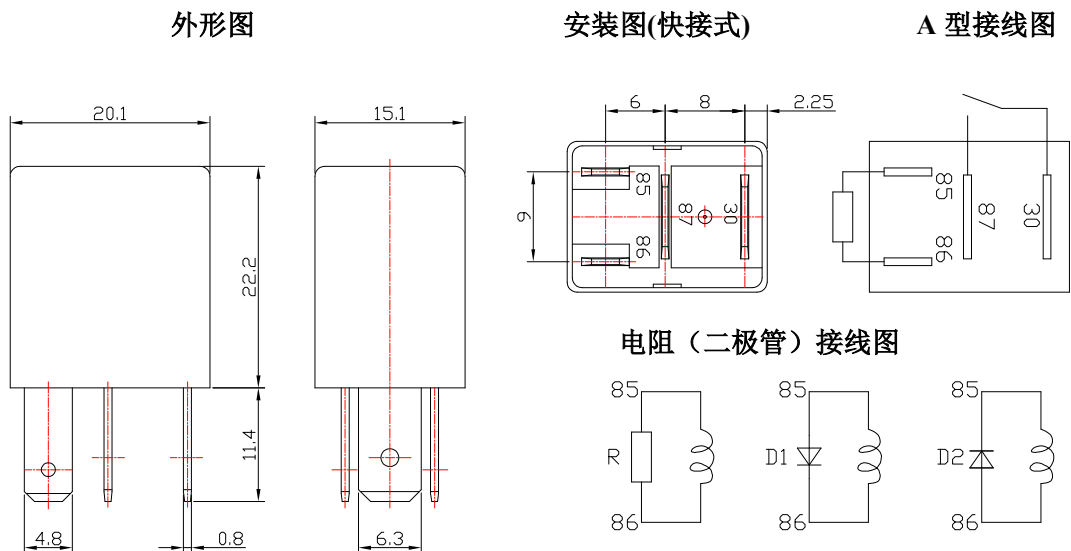
## ■ CHARACTERISTICS DATA 性能参数

Insulation Resistance绝缘阻值	100M $\Omega$ Min at 500VDC
Dielectric Strength Between Open Contacts触点间耐压	550VAC(for one minute)
Between Contacts and coil触点与线圈间耐压	1000VAC(for one minute)
Operate Time吸合时间	10ms
Release Time释放时间	7ms
Temperature Range环境温度	-40 $^{\circ}$ C to +85 $^{\circ}$ C
Shock Resistance冲击	100m/s <sup>2</sup> , 11ms
Vibration Resistance振动	10-44Hz, 1.27mm
Max. switching frequency最大转换频率	Mechanical: 18,000 operations/hr
	Electrical: 1,800 operations/hr
Humidity湿度	85% (at 40 $^{\circ}$ C)
Weight重量	Approx 14g

## ■ ENGINEERING DATA 设计参数



## ■ OVERALL AND MOUNTING DIMENSIONS 安装图



备注: 1) 产品部分外形尺寸中未注尺寸公差: 当外形尺寸 $\leq 1\text{mm}$ 时, 公差为 $\pm 0.2\text{mm}$ ; 当外形尺寸在 $1\sim 5\text{mm}$ 时, 公差为 $\pm 0.3\text{mm}$ ; 当外形尺寸 $> 5\text{mm}$ 时, 公差为 $\pm 0.4\text{mm}$ 。

2) 安装孔尺寸中未注尺寸公差均为 $\pm 0.1\text{mm}$ 。

### 声明:

本产品规格书仅供客户使用时参考, 如有更改, 恕不另行通知。